

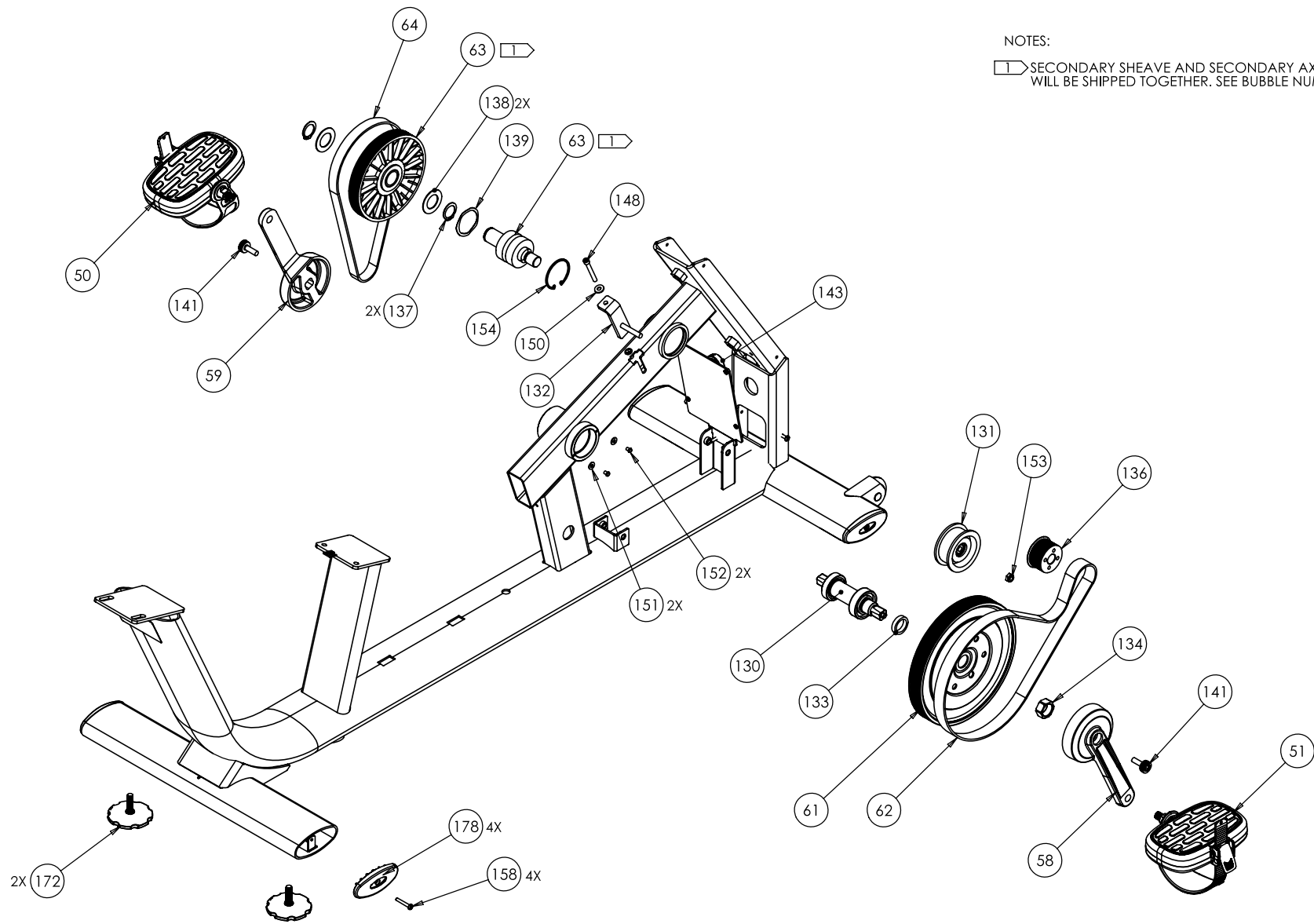
RBK 815	P/N : 300979-101	SUBREV : G
DRAWN BY : KAW	DATE : 5.14.12	SHEET 1 OF 6

4

3

2

1



NOTES:

1 SECONDARY SHEAVE AND SECONDARY AXLE WILL BE SHIPPED TOGETHER. SEE BUBBLE NUMBERS 63.



D

C

B

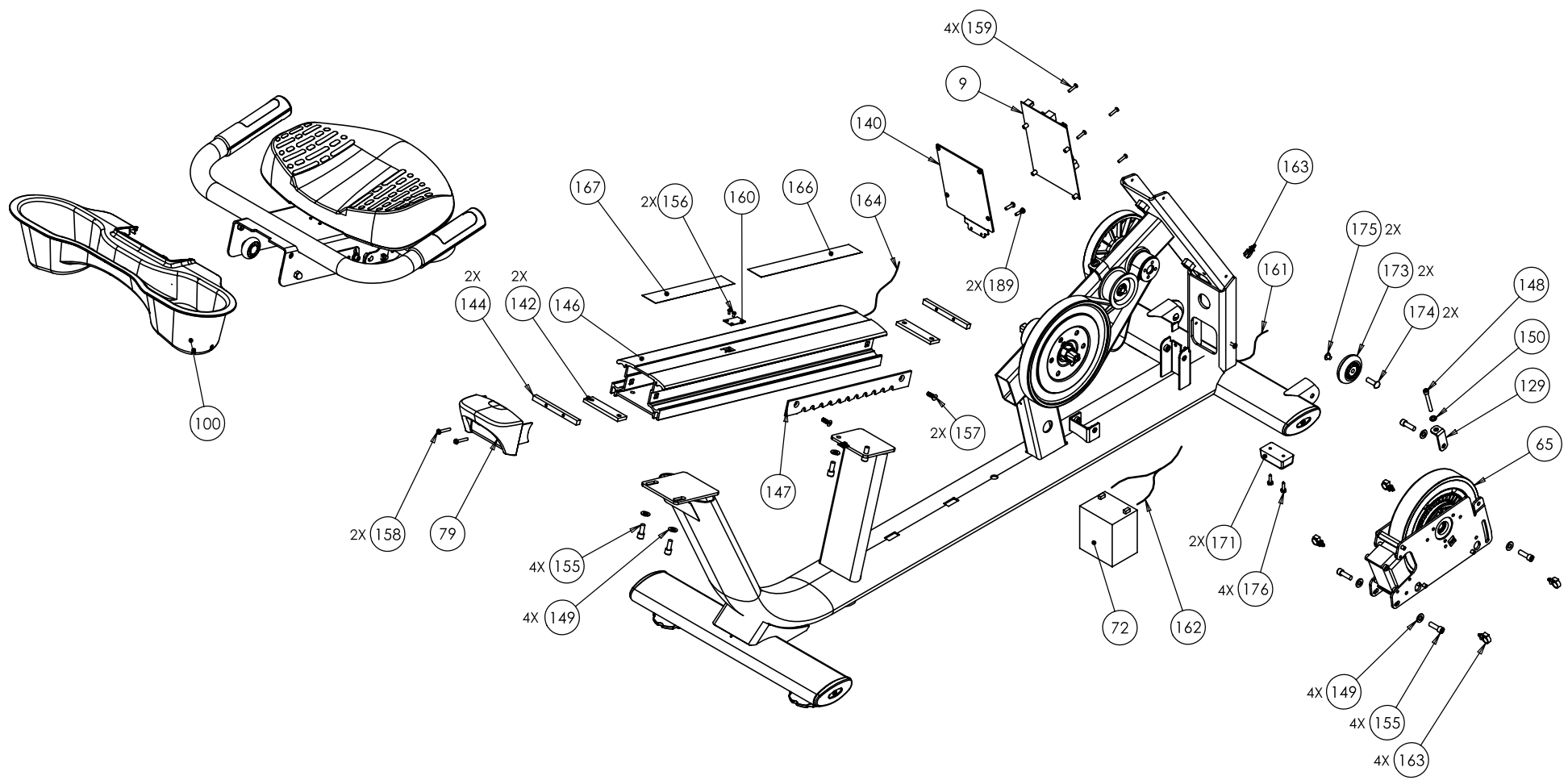
A

4

3

2

1

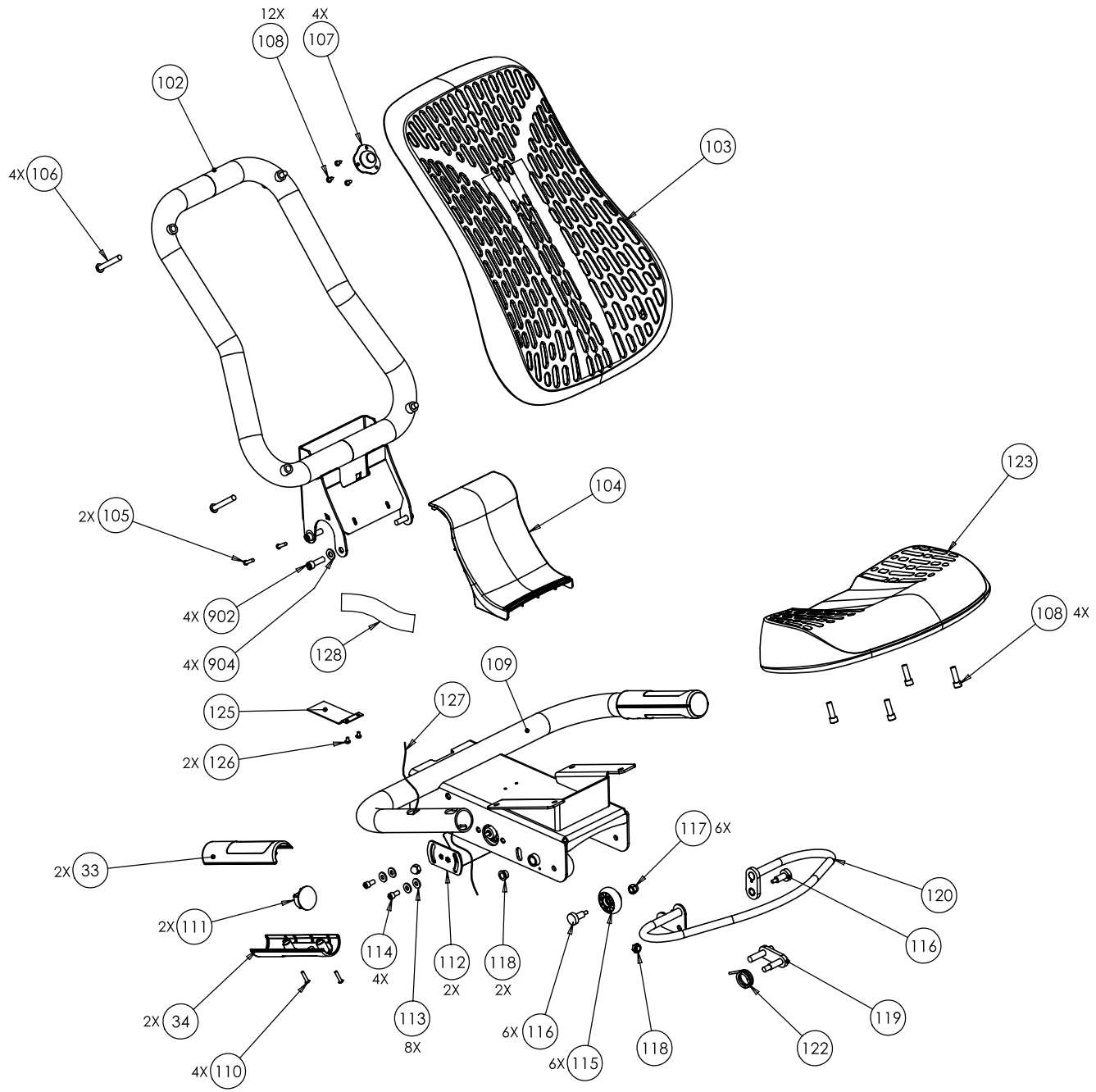


4

3

2

1





D

C

B

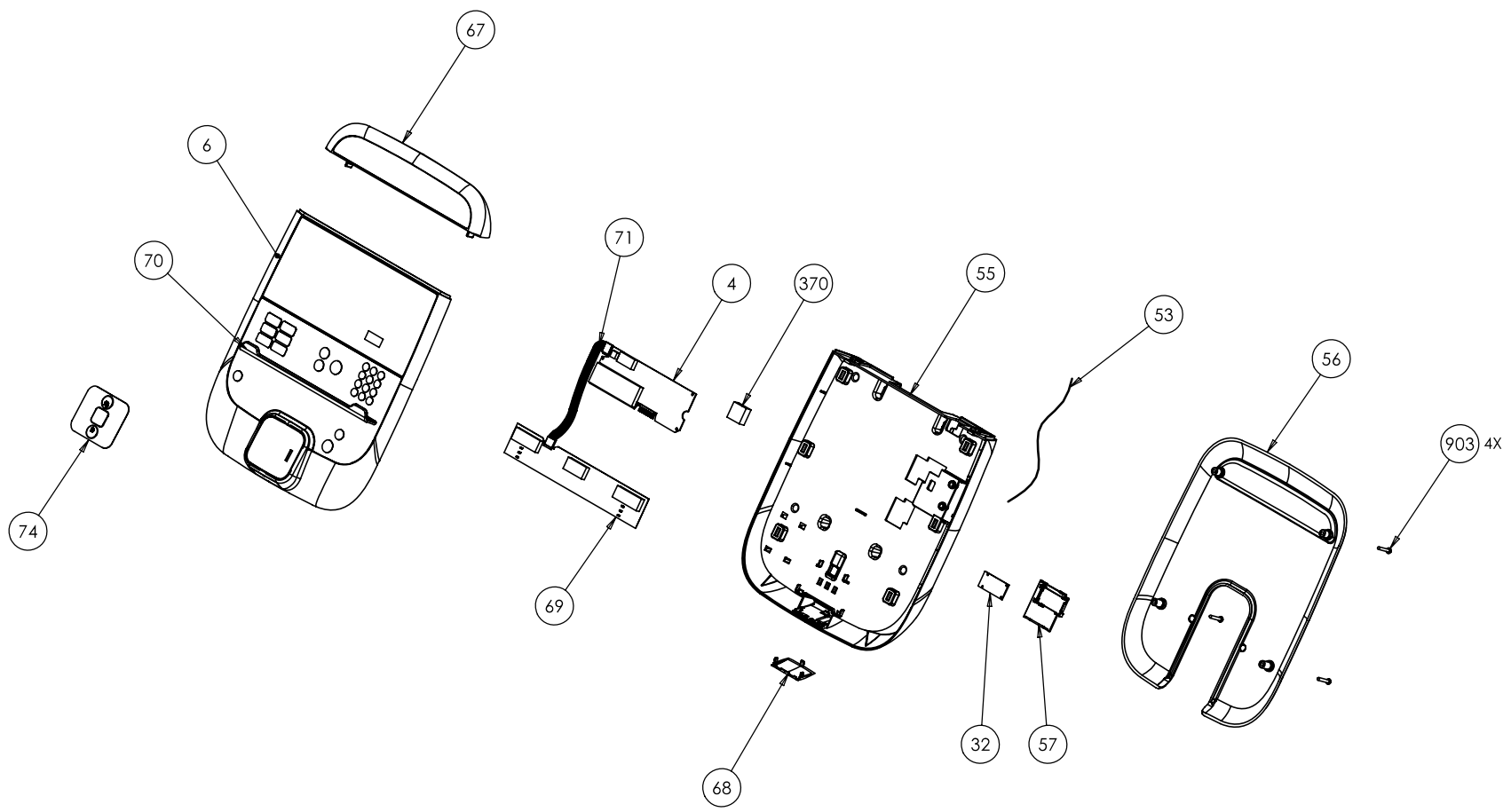
A

4

3

2

1



## RBK 815 (serial code AAEK + AB53) Display C

Part Number	Description	Bubble Number
300590-103	WELDMENT, FRAME, RECUMBENT	1
49862-101	ASSY, UPCA & SW, C842I W/ CSAFE	4
300858-101	ASSEMBLY, DISPLAY PANEL/LABEL, EN,	6
49445-102	ASSY, LOWER PCA & SW, LCSPAM BIKE,	9
49401-102	BOARD, CHR & WIRELESS, SALUTRON	32
35700-103	GRIP, HHR, TOP, RBK10, BLACK, FLIP	33
35701-103	GRIP, HHR, BOTTOM, RBK10, BLACK, F	34
300839-101	ASSEMBLY, DISPLAY MAST, RECUMBENT,	37
300585-101	COVER, RECUMBENT, TOP	40
300527-105	PEDAL, BIKE, LEFT	50
300527-106	PEDAL, BIKE, RIGHT	51
35755-020	ASSY, CABLE, HHR TO DISPLAY, 20"	53
48707-101	BACK PANEL, DISPLAY-C, W/O USB	55
49744-102	SUPPORT, PLASTIC HR ADAPTER	57
300525-102	CRANK, BIKE, RIGHT	58
300525-101	CRANK, BIKE, LEFT	59
45440-103	PULLEY,INPUT	61
10217-135	BELT, DRIVE, 400J10 POLY V	62
58026-101	CS KIT, SECONDARY SHEAVE/AXLE UBK 1	63
10217-145	ELT, DRIVE, 300J8 POLY V	64
300522-101	GENERATOR, BIKE	65
48713-101	TOP, DISPLAY-C, BLANK	67
48714-101	ACCESS PANEL, HEADPHONE JACK	68
48947-103	ASSY, PCA & SW, DISPLAY-C, METRICS,	69
48602-009	ASSY,CABLE,6C,.1 CTR,1-1,GOLD,9"	71
12258-040	BATTERY,SLA,12V,4AH,.187 TABS	72
48778-102	LABEL, SNAP DOME, 3 BUTTON BIKE	74
300588-101	COVER, WATERFALL CAP	76
300586-101	COVER, RECUMBENT, WATERFALL	77
300587-101	COVER, KICKPLATE	78
300589-101	COVER, RAIL CAP	79
300582-101	CUP HOLDER, RECUMBENT	100
300805-116	GRIP, HANDLEBAR, PLASTI-SOL,TEXTURE	101
300557-103	WELDMENT, SEAT BACK, PAINTED	102
300548-101	ASSEMBLY, FLEX MOUNT	103
300581-101	COVER, SEAT BACK BRACKET	104
MGCN019-050	SCREW, MACHINE, 10-24X1/2, PANHD, P	105
TCNN031-225	SCREW,BTHD,5/16-18X2.25,SS	106
300607-101	FLEX MOUNT, SEAT BACK	107
PBTN016-050	SCREW,S/T,#8X1/2,PANHD,PHIL,BLK SHA	108
300566-101	WELDMENT, SEAT CARRIAGE	109
TCNN016-075	SCREW, BTHD, 8-32X.75,SS	110
300532-101	ENDCAP, HANDLEBAR	111
300834-101	WELDMENT, ECCENTRIC PLATE, STEEL	112
WNCN026-006	WASHER,FLT,1/4X.625X.063,ZN	113
CAMN025-050	SCREW,SKHD,1/4-20X0.50,ZN (MECH PLA	114
38578-102	WHEEL,846R	115
RANN031-075	SCREW,SHLD,5/16 X 3/4,HEXSC,	116

<b>KBFCN031-053</b>	NUT,ACORN,5/16-18, CENTERLOCK	117
10043-109	BEARING FLANGE ID-.377,OD-.502	118
300572-102	WELDMENT, RELEASE PIVOT	119
300547-101	ASSEMBLY, RELEASE HANDLE	120
KACN031-016	LOCKNUT,HALF, 5/16-18,ZN	121
300556-101	SPRING, TORSION, RECUMBENT SEAT CAR	122
<b>300551-101</b>	SEAT BOTTOM, RECUMBENT	123
<b>CAMN031-100</b>	SCREW,SKHD,5/16-18X1,ZN (MECH PLATI	124
45628-102	CABLE CLAMP, SEAT, RECUMBENT, PT	125
MGCN016-025	SCREW,MCH,8-32X1/4,PANHD,PHIL,	126
<b>45840-024</b>	ASSY,CBL,HHHR,FFC TO GRIPS,22AWG,24	127
<b>45504-015</b>	ASSY,CBL,FFC,04 COND,28AWG,15"	128
300520-101	TENSIONER, GENERATOR	129
<b>300528-101</b>	ASSEMBLY, INPUT SHAFT	130
<b>300518-101</b>	IDLER, MODIFIED	131
<b>300519-101</b>	TENSIONER, IDLER	132
<b>300517-101</b>	SPACER, INPUT SHAFT	133
<b>300515-101</b>	LOCKNUT, INPUT PULLEY	134
<b>45450-105</b>	SHEAVE, SECONDARY AXLE	136
<b>ABHN025-002</b>	RING, RETAINING, 25MM EXTERNAL	137
<b>12089-103</b>	26MM THRUST BEARING IGUS,LTM-2644-0	138
<b>WAKNN044-004</b>	WASHER, WAVE, SSB-0205	139
301649-101	BRACKET, LPCA, BIKE	140
<b>300526-101</b>	BOLT, CRANK RETAINER	141
300563-101	PLATE, RECUMBENT RAIL NUT	142
10178-110	BUSHING,SNAP-IN,1.25OD X 1.0ID	143
300564-101	BAR, RECUMBENT SEAT STOP	144
300561-102	RAIL, SEAT, RECUMBENT	146
300565-102	PLATE, RAIL LOCK	147
<b>CAMN025-200</b>	SCREW,SKHD,1/4-20X2,ZN (MECH PLATIN	148
<b>WBCN031-007</b>	WASHER,FLT,5/16X.688X.065, ZN	149
WNCN026-006	WASHER,FLT,1/4X.625X.063,ZN	150
<b>WACN019-005</b>	WASHER, FLT, #10X.500X.049,ZN	151
MGCE019-025	SCREW, P/H, MACH, 10-24 X 1/4, NYLO	152
KDCN031-025	LOCKNUT, FULL 5/16-18, ZINC	153
<b>ADHN052-002</b>	RING, RETAINING, INTERNAL (52MM)	154
<b>CATN031-075</b>	SCREW,SKHD,5/16-18X0.75,BLK SHARPER	155
<b>MGCN013-025</b>	SCREW,MCH,6-32X1/4,PANHD,PHIL,	156
MACCN025-075	MACHINE SCREW, 1/4-20, FLAT HEAD,	157
<b>PANTA019-125</b>	SCREW,S/T,#10-24X1.25, PANHD,PHIL,T	158
<b>MGCN016-075</b>	SCREW,MCH,8-32X3/4,PANHD,PHIL,	159
45854-101	CABLE CLAMP, EXTR, RECUMBENT, PT	160
<b>44905-072</b>	ASSY,CBL,MOD,8P8C,1-1,SILVER,72"	161
45250-021	ASSY,CBL,2C,18AWG,QK DISC,21"	162
<b>12414-101</b>	CABLE CLAMP INSERT,SNAP IN	163
<b>45018-132</b>	ASSY,CBL,HHHR,FFC TO DISPLAY,24AWG,	164
300535-101	LABEL, FRONT SEAT RAIL, RECUMBENT	166
300536-101	LABEL, REAR SEAT RAIL, RECUMBENT	167
WAMCN019-002	WASHER, LOCK, EXT TOOTH, #10	169
<b>31074-104</b>	FOOT, FIXED,	171
<b>39916-103</b>	FOOT, ADJUSTING,NO LOGO	172
<b>301665-101</b>	WHEEL,TRANSPORT, 19X60, BLACK	173

KBKCN025-100	NUT,BARREL,STEEL,TRUSS HEAD,UNC,1/4	174
MCCN025-031	SCREW,1/4-20 X 5/16, MACH, TRUSS PH	175
PKCN019-075	SCREW,S/T,#10X.75,WSHHXHD,ZN	176
300530-101	BRACKET, ENDCAP KEEPER	177
300531-101	ENDCAP, ELLIPTICAL	178
300534-101	PLATE, INTERFACE	180
12321-102	COUPLER,MOD,8P8C,CAT5E,INLINE,SNAP-	181
12322-102	COUPLER,COAX,F81,F/F,75 OHM,1GHZ,RE	182
KBWCN038-023	NUT, PANEL, HEX, 3/8-32 X 7/16, ZIN	184
13029-101	WASHER, INTERNAL LOCK, .384 ID, .50	185
40037-012	ASSY,CBL,3C,18AWG,MINI FIT/GND RING	186
PANTA019-075	SCREW,S/T,#10-24X0.75, PANHD,PHIL,T	189
49778-101	FOAM, ANTI-STATIC 1" X 1" X .5" THI	370